

(DOMO linkB7) WITH BATTERY

for residential swing gates
with single leaf length of 1.8 m and max weight of 250 kg



■ Innovative and eye-catching

Innovative and unequalled on the market of operators for residential swing gates. It runs on a 12 Vdc electric motor and has a treated, powder painted die-cast aluminium body, to provide extra dimensional stability, sturdiness, and rigidity. Compact-size, attractive, futuristic styling.

■ Conforms to new european standards

Programmable in line with the new European Standards, thanks to the innovative 'virtual' encoder system (with limit-switch and obstacle detection functions) as well as speed and force adjustment.

■ Clean security

Uninterrupted operation is guaranteed in case of a power cut. Can be powered on solar panels and by standard transformers for residential applications (entry-phones, door bells). The special kinematic motion device assures high anti break-in resistance, thanks to the 'knee' effect

■ Easy to install

Easy mechanical and electrical installation. Available in Master configuration (single leaf) or Slave configuration (required in addition to the Master for two leaves). Uses the innovative BUS-network technology for connecting the Master and Slave management units.



■ Rear fitting suitable for screw fixing



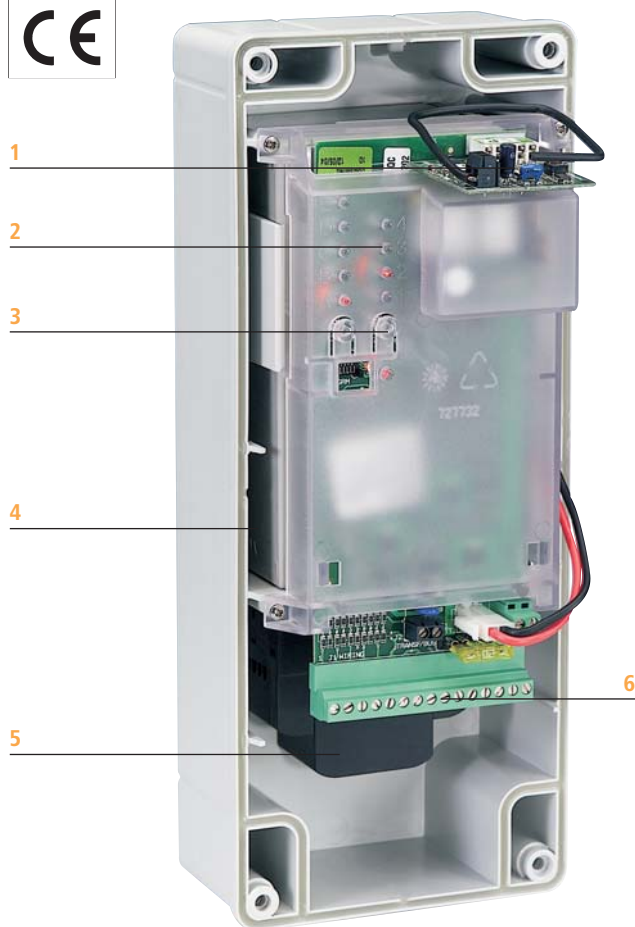
■ Front fitting with small dimensions



■ Hexagonal key unlock release for manual use



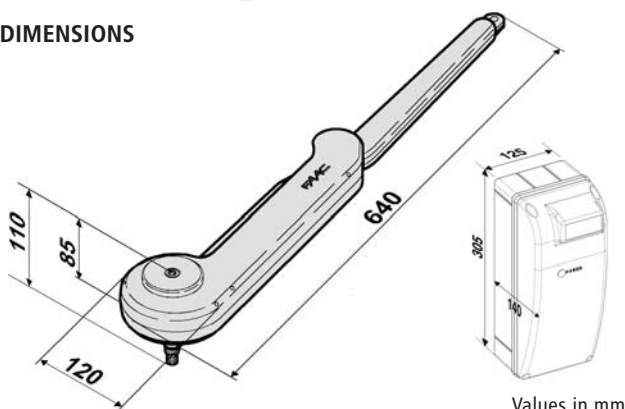
■ Operator closure point detail shows minimized crushing hazard



- 1 Quick connector for RP radio receivers or decodification cards
- 2 Programming leds
- 3 Programming push-buttons
- 4 12 Vdc battery 7,2 Ah
- 5 230 Vac/12 V 16 VA power supply (optional - only for Master)
- 6 Removable terminal strip
- 7 ABS plastic enclosure to guarantee a long lasting aesthetics
- 8 Indication led (main power supply and diagnostic)

FAAC

DIMENSIONS



Technical specifications	DOMO Link-B7
Power supply voltage	12 Vdc
Rated absorbed power	48 W
Maximum torque	70 Nm
Max load-free angular speed (°/sec)	23 (0.4 rad/sec)
Duty cycles (cycles/hour)	15
Consecutive cycles on charged battery*	~ 30
Battery recharge time	~ 10' for every cycle effected*
Type of reduction	epicycloid
Operating ambient temperature	-20°C ÷ +55°C
Operator weight (kg)	2.8
Protection class	IP 44
Leaf max length (m)	1.80
Leaf max weight (kg)	250
Max opening angle	110°

(*) The cycles/hour are just an indication for the full efficiency of the automation. The use frequency satisfies the residential application.

Shared characteristics of MASTER-B7/SLAVE-B7 Boards

Batteries	Sealed Lead Battery 12 Vdc 7,2 Ah dimensions 96x46x50
Enclosure protection class	IP 55
Absorbed power	16 VA
Motor max current	15 A
Operating ambient temperature	-20°C ÷ +55°C
Protection Fuses	No. 1 - 20A
Anti-crushing function	Encoder - Current control

Technical specifications	MASTER-B7 Board
Power supply	12 Vac
Transformer Characteristics (optional)	Primary 230 Vac Secondary 12 Vac - 16 VA
24 Vdc Accessories max load	150 mA
Rapid connector max load	50 mA
Function logics	Automatic/"Stepped" Automatic / Safety /"Stepped" Semi-automatic
Opening/closing time	By self-learning
Pause time	5,10,20,30 sec selectable
Opening and closing leaf delay time	(op. 0s, cl. 0s)/(op. 2s, cl. 2s) (op. 2s, cl. 4s)/(op. 2s, cl. 8s)
Speed	Selectable on 4 levels
Static force adjustment	Selectable on 4 levels

Terminal board inputs - Open/ Free leaf Open /Stop/ Op. Safety devices /Cl. Safety devices
Terminal board outputs - Flashing lamp/Motor/Bus / Indicator-light/24 Vdc - 12 Vdc power supply for accessories
Rapid connector - Minidec cards - RP cards
Programmable functions - Logic/ Pause time / Op. and Cl. leaf delays/ Anti-crushing force/Operators speed

Technical specifications	SLAVE-B7 Board
Power supply	from Master-B7
Terminal board outputs	Motor/Battery/Bus

Model	Use			Control board
	Single leaf max length (m)	No. of leaves	Use frequency (cycles/hour)	
DOMO Link RH	1,80	1	15	Not Included
DOMO Link LH	1,80	1	15	Not Included